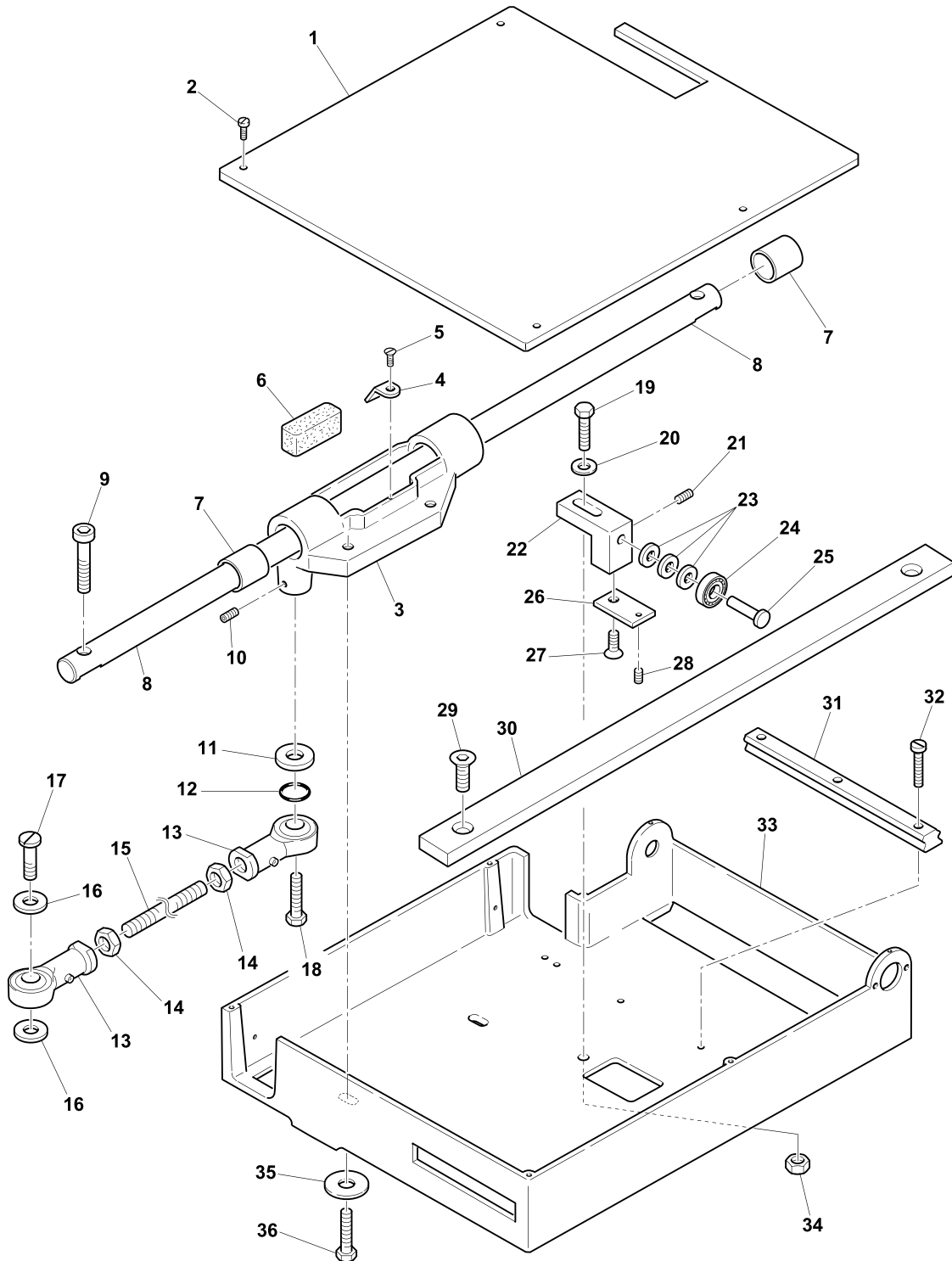




# Parts Breakdown

Model MS-IT-0250-MF 26072

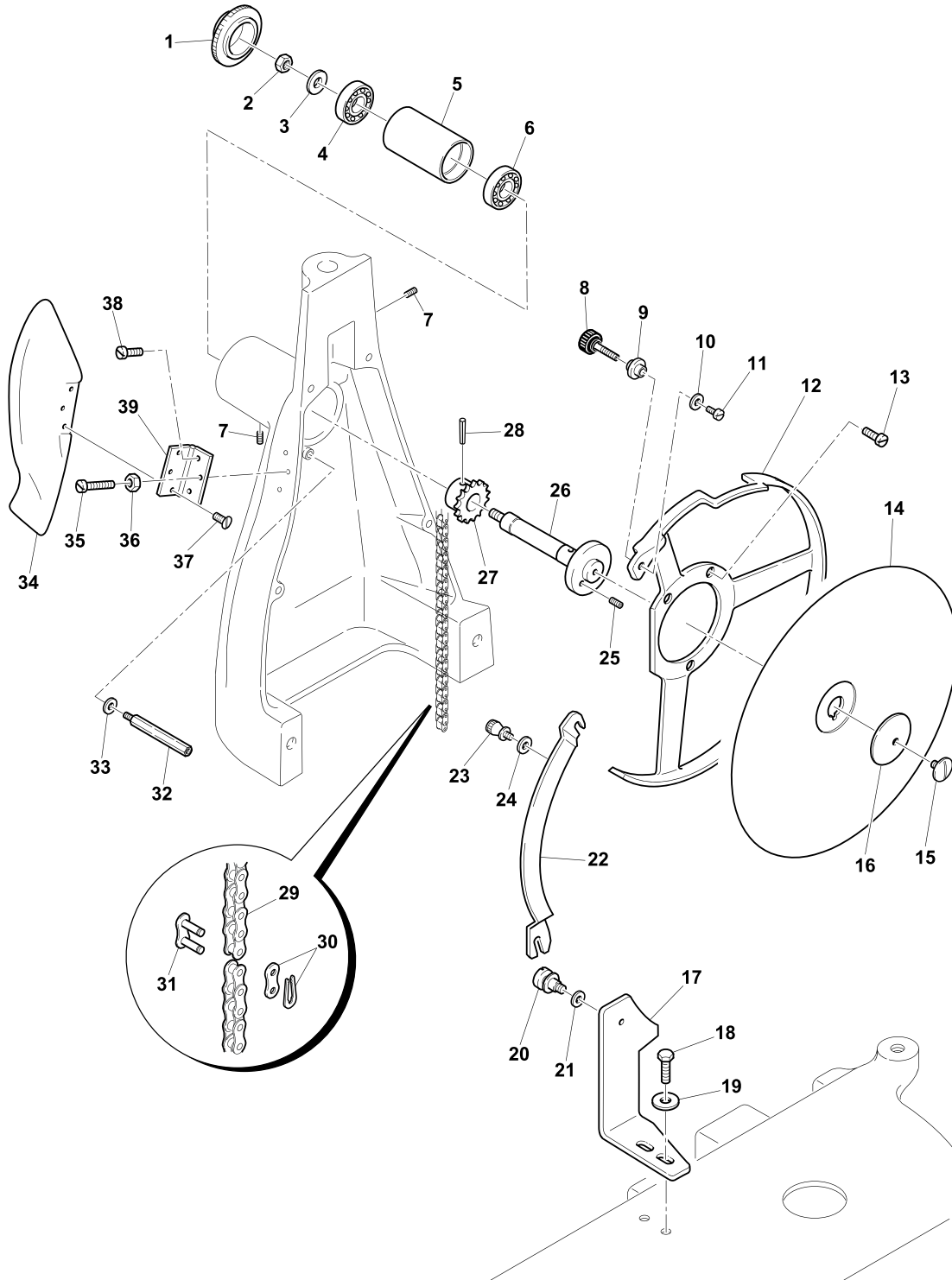
Cart Guide



# Parts Breakdown

Model MS-IT-0250-MF 26072

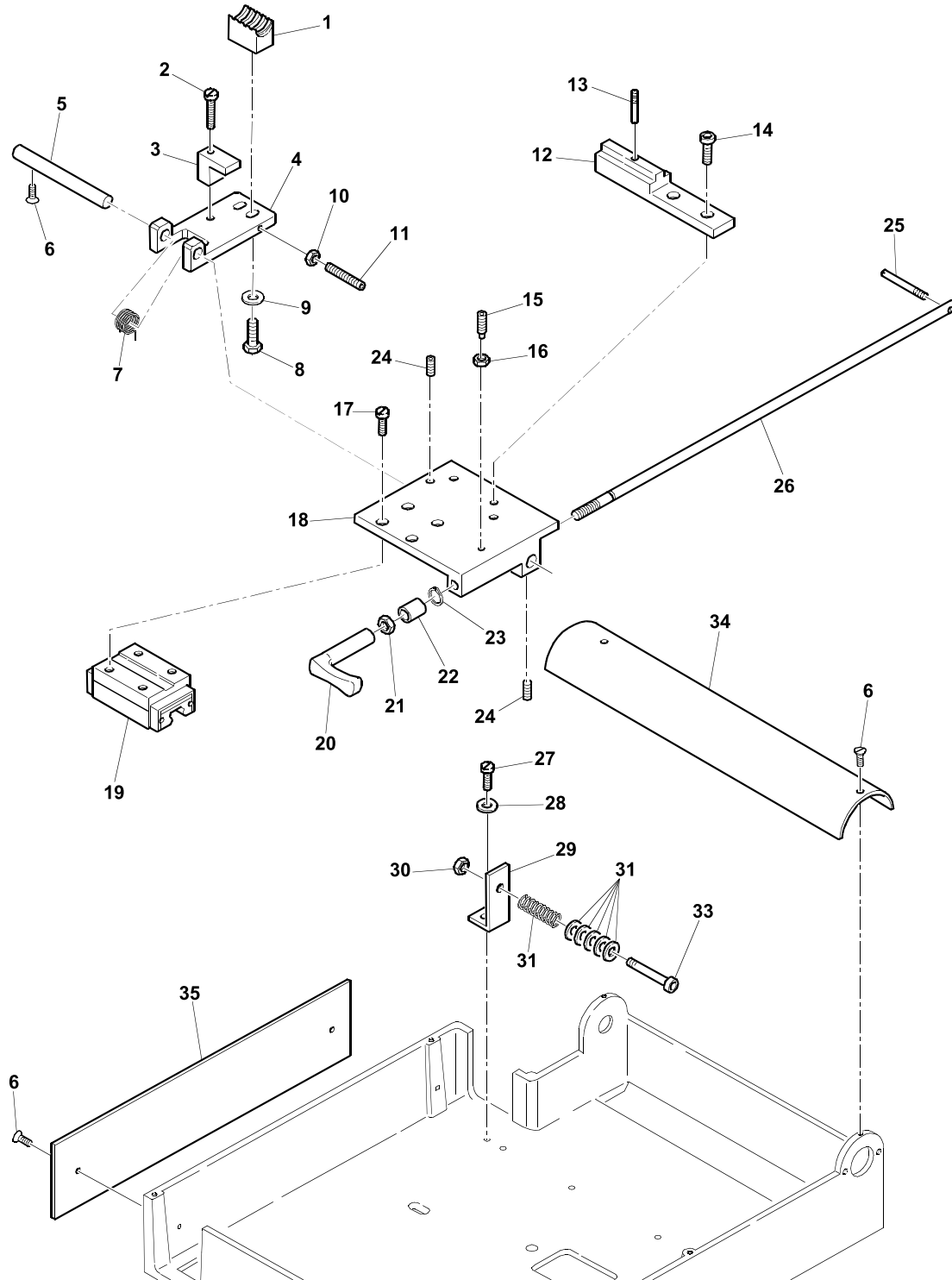
Blade Assembly



# Parts Breakdown

Model MS-IT-0250-MF 26072

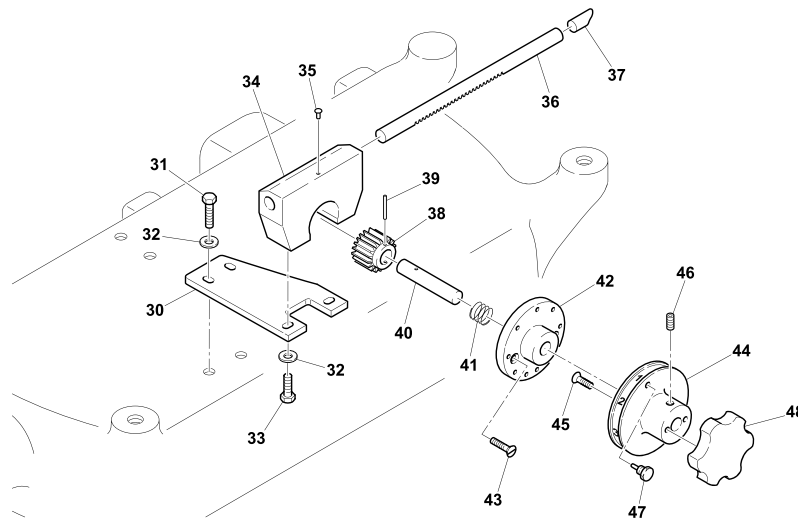
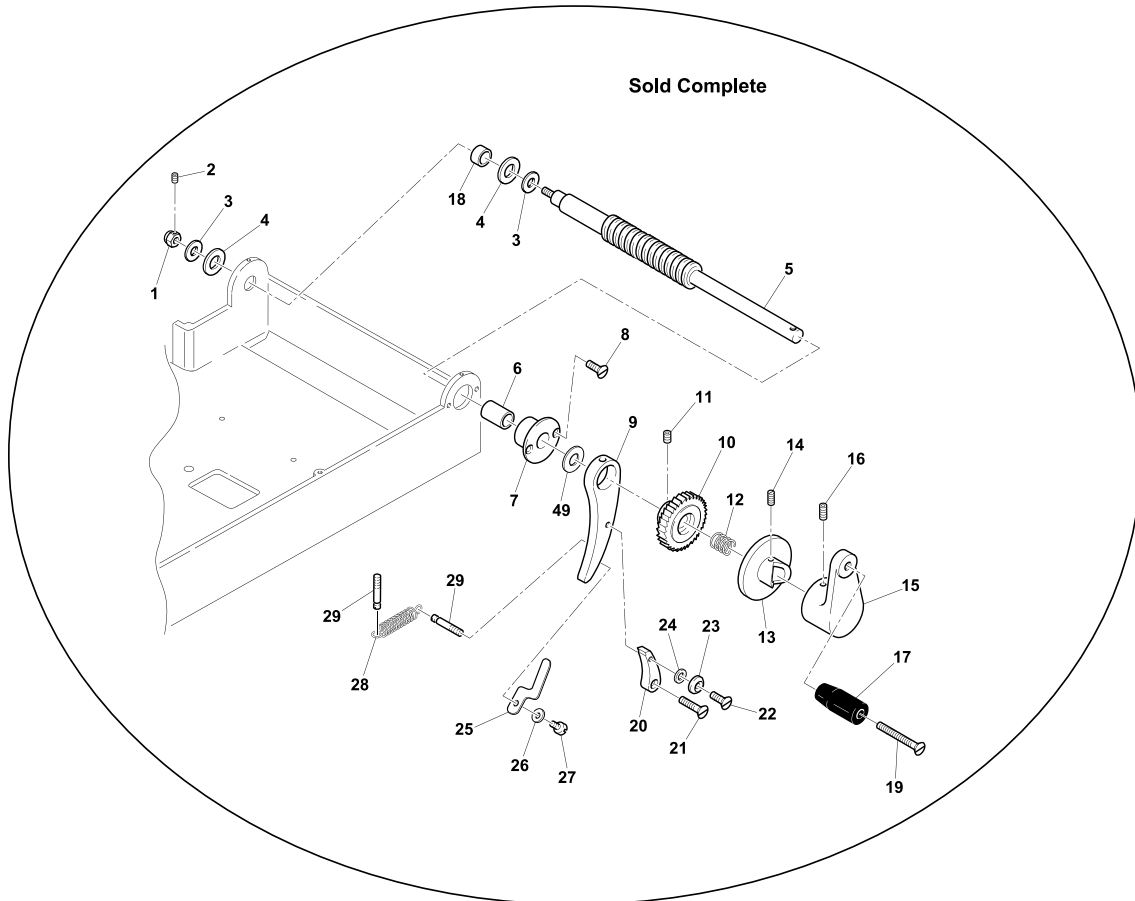
Cart



# Parts Breakdown

Model MS-IT-0250-MF 26072

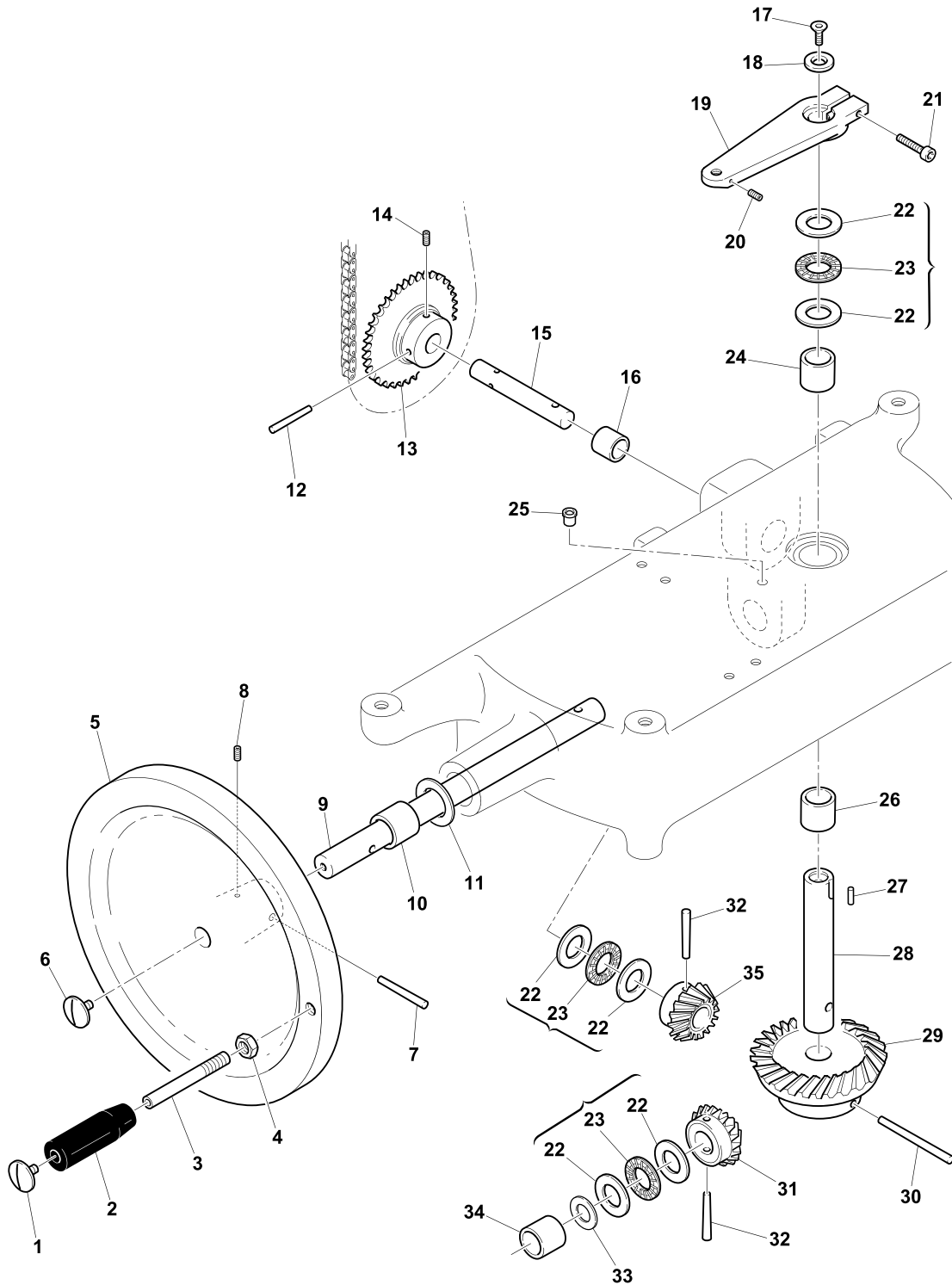
Thickness Adjustor



# Parts Breakdown

Model MS-IT-0250-MF 26072

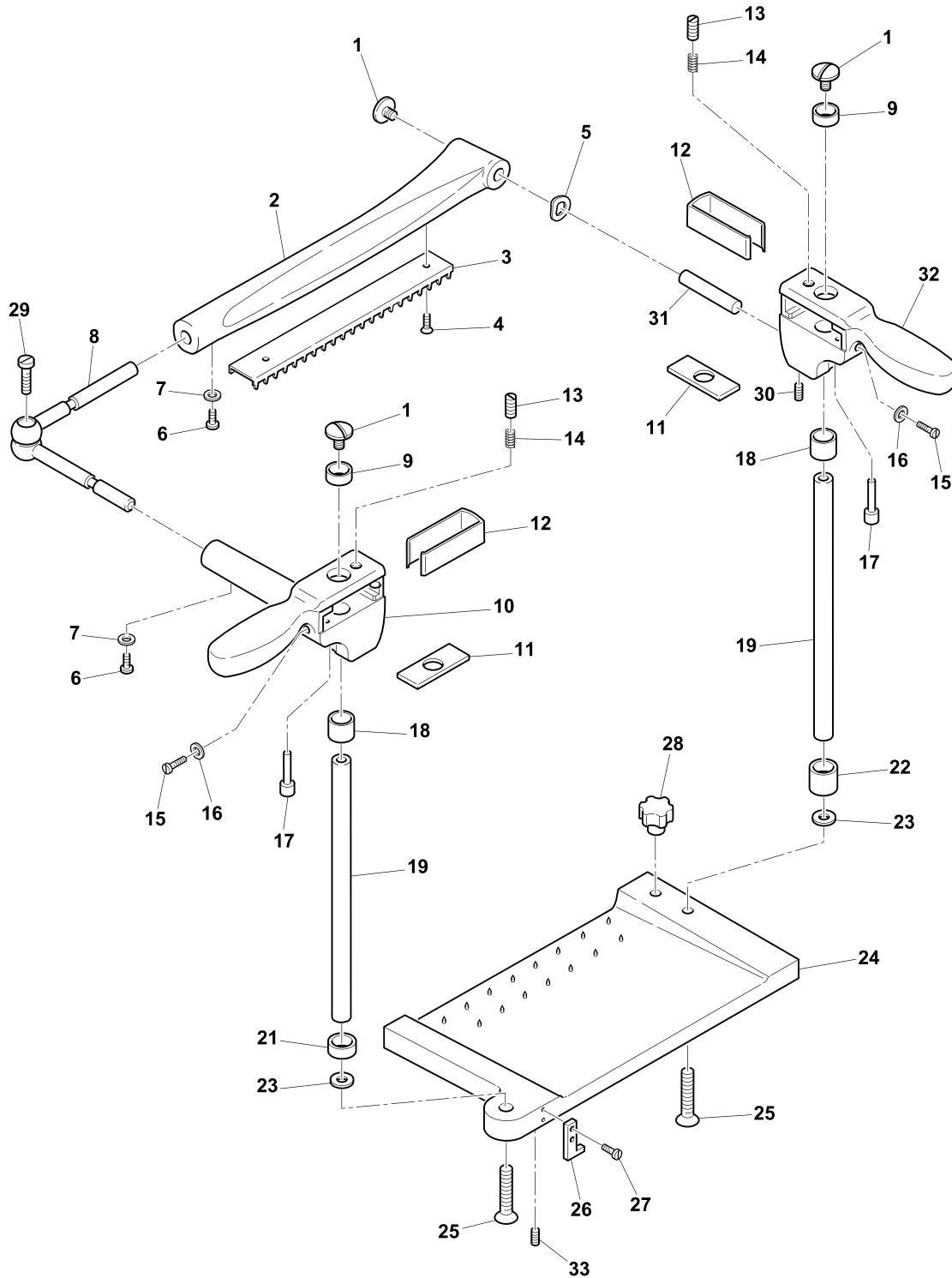
Fly Wheel



# Parts Breakdown

Model MS-IT-0250-MF 26072

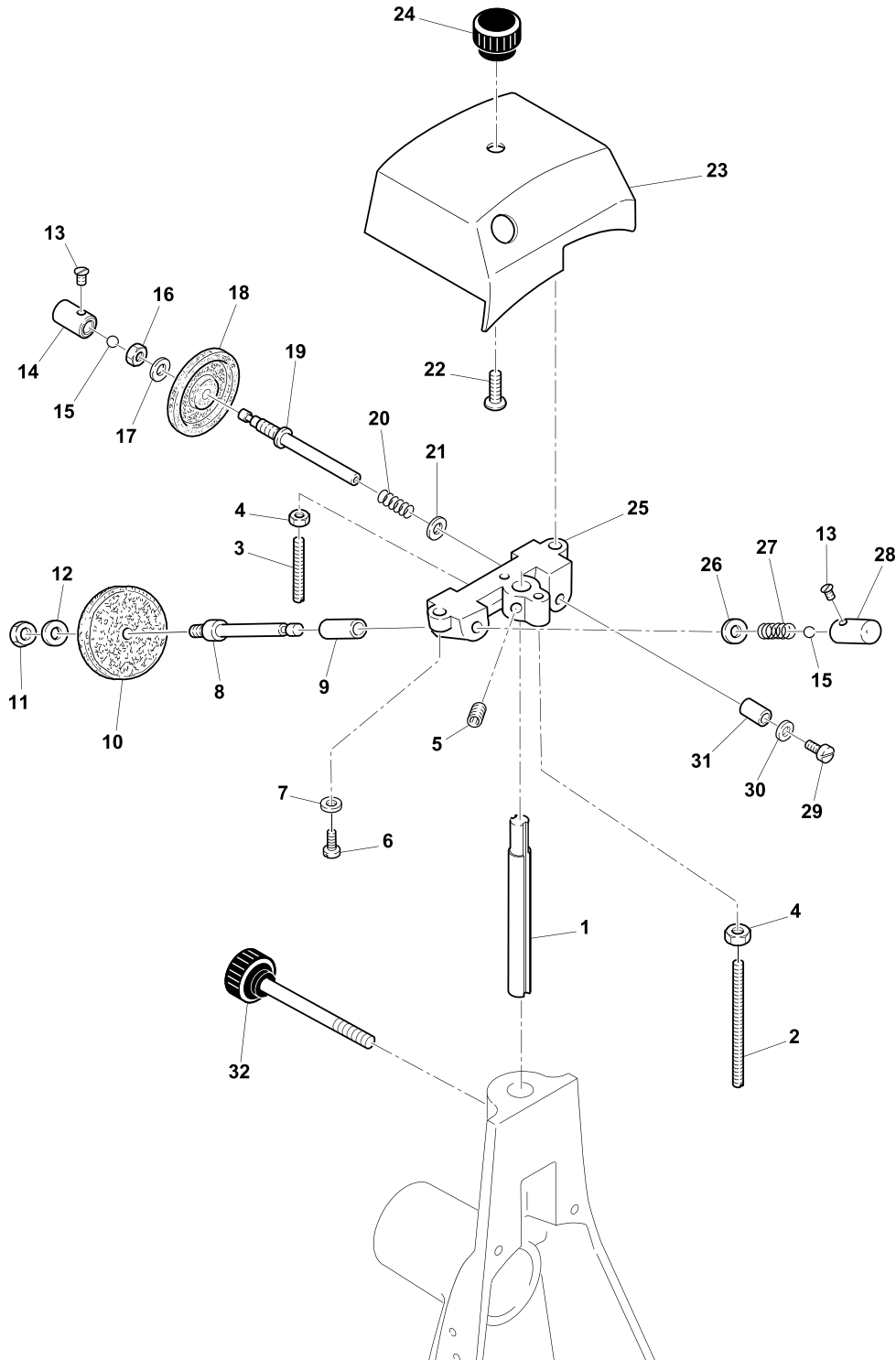
Meat Tray Assembly



# Parts Breakdown

Model MS-IT-0250-MF 26072

Sharpening Assembly







# Parts Breakdown

**Model MS-IT-0250-MF 26072**

**Base**

Item No.	Description	Position	Item No.	Description	Position	Item No.	Description	Position
32771	Housing for 26072	1	32780	Tray Support Bar for 26072	10	32789	Nut for 26072	19
32772	Foot for 26072	2	32781	Blade Assembly Casing for 26072	11	32790	Pin for 26072	20
32773	Slide Bar Support for 26072	3	32782	Chain Guard for 26072	12	32791	Slide Bar Support for 26072	21
32774	Thumb Screw for 26072	4	32783	Washer for 26072	13	32792	Washer for 26072	22
32775	Washer for 26072	5	32784	Screw for 26072	14	32793	Nut for 26072	23
32776	Plate Stop for 26072	6	15073	Foot for 26072	15	32794	Washer for 26072	24
32777	Tray Support Bar for 26072	7	32786	Tray for 26072	16	32795	Pin for 26072	25
32778	Pin for 26072	8	32787	Thumb Screw for 26072	17	32796	Pin for 26072	26
32779	Tray for 26072	9	32788	Washer for 26072	18			

## Cart Guide

Item No.	Description	Position	Item No.	Description	Position	Item No.	Description	Position
32797	Bottom Plate for 26072	1	32809	Joint for 26072	13	32821	Bearing Pin for 26072	25
32798	Screw for 26072	2	32810	Nut for 26072	14	32822	Tab for 26072	26
32799	Carriage Support for 26072	3	32811	Pin for 26072	15	32823	Screw for 26072	27
32800	Bracket for 26072	4	32812	Washer for 26072	16	32824	Set Screw for 26072	28
32801	Screw for 26072	5	32813	Screw for 26072	17	32825	Screw for 26072	29
32802	Wick for 26072	6	32814	Screw for 26072	18	32826	Carriage Rail for 26072	30
32803	Slide Bar Bushing for 26072	7	32815	Screw for 26072	19	32827	Slide Bar for 26072	31
32804	Carriage Slide Bar for 26072	8	32816	Washer for 26072	20	32828	Screw for 26072	32
32805	Screw for 26072	9	32817	Set Screw for 26072	21	32829	Plate Base for 26072	33
32806	Set Screw for 26072	10	32818	Sharpener Support Bracket for 26072	22	32830	Nut for 26072	34
32807	Washer for 26072	11	32819	Washer for 26072	23	32831	Washer for 26072	35
32808	Washer for 26072	12	32820	Bearing for 26072	24	32832	Screw for 26072	36

# Parts Breakdown

**Model MS-IT-0250-MF 26072**

**Blade Assembly**

Item No.	Description	Position	Item No.	Description	Position	Item No.	Description	Position
32833	Blade Shaft Cap for 26072	1	24039	Blade for 26072	14	32859	Pinion for 26072	27
32834	Nut for 26072	2	32847	Screw Chrome for 26072	15	32860	Pin for 26072	28
32835	Washer for 26072	3	32848	Washer for 26072	16	32861	Chain for 26072	29
32836	Bearing for 26072	4	32849	Bracket for 26072	17	32862	Chain Link for 26072	30
32837	Sleeve for 26072	5	32850	Screw for 26072	18	32863	Chain Link for 26072	31
32838	Bearing for 26072	6	32851	Washer for 26072	19	32864	Guide Rod for 26072	32
32839	Set Screw for 26072	7	32852	Thumb Screw for 26072	20	32865	Washer for 26072	33
32840	Thumb Screw for 26072	8	32853	Washer for 26072	21	32866	Meat Deflector for 26072	34
32841	Spacer for 26072	9	32854	Blade Guard for 26072	22	32867	Screw for 26072	35
32842	Washer for 26072	10	32855	Screw for 26072	23	31315	Nut for 26072	36
32843	Screw for 26072	11	32856	Washer for 26072	24	31314	Screw for 26072	37
32844	Safety Guard Ring for 26072	12	32857	Set Screw for 26072	25	32868	Screw for 26072	38
32845	Screw for 26072	13	32858	Bearing and Shaft for 26072	26	31325	Hinge for 26072	39

**Cart**

Item No.	Description	Position	Item No.	Description	Position	Item No.	Description	Position
32869	Comb Block for 26072	1	32881	Pin for 26072	13	32893	Pin for 26072	25
32870	Screw for 26072	2	32882	Socket Head Screw for 26072	14	32894	Needle Rod for 26072	26
32871	Sharpener Support Bracket for 26072	3	32883	Pin for 26072	15	32895	Screw for 26072	27
32872	Support Mount for 26072	4	32884	Nut for 26072	16	32896	Washer for 26072	28
32873	Pivot Rod for 26072	5	32885	Screw for 26072	17	32897	Tab for 26072	29
32874	Screw for 26072	6	32886	Moving Plate for 26072	18	32898	Nut for 26072	30
32875	Spring for 26072	7	32887	Side Plate for 26072	19	32899	Spring for 26072	31
32876	Screw for 26072	8	32888	Leveler for 26072	20	32900	Washer for 26072	32
32877	Washer for 26072	9	32889	Nut for 26072	21	32901	Socket Head Screw for 26072	33
32878	Nut for 26072	10	32890	Bushing for 26072	22	32902	Slide Bar Cover for 26072	34
32879	Pin for 26072	11	32891	Clip for 26072	23	32903	Bottom Plate Cover for 26072	35
32880	Mount for 26072	12	32892	Pin for 26072	24			



# Parts Breakdown

**Model MS-IT-0250-MF 26072**

**Thickness Adjustor**

Item No.	Description	Position	Item No.	Description	Position	Item No.	Description	Position
32904	Acorn Nut for 26072	1	32921	Feed Screw Bushing for 26072	18	32938	Rivet for 26072	35
32905	Set Screw for 26072	2	32922	Screw for 26072	19	32939	Fly Rod for 26072	36
32906	Washer for 26072	3	32923	Small Skip Latch for 26072	20	32940	Rod PVC for 26072	37
32907	Washer for 26072	4	32924	Screw for 26072	21	32941	Gear for 26072	38
32908	Feed Screw Shaft for 26072	5	32925	Screw for 26072	22	32942	Pin for 26072	39
32909	Bushing for 26072	6	32926	Nut for 26072	23	22943	Steel Pin for 26072	40
32910	Feed Pin Bushing for 26072	7	32927	Washer for 26072	24	32944	Spring for 26072	41
32911	Screw for 26072	8	32928	Small Spring for 26072	25	32945	Nut for 26072	42
32912	Big Skip Latch for 26072	9	32929	Washer for 26072	26	32946	Screw for 26072	43
32913	Gear for 26072	10	32930	Screw for 26072	27	32947	Graduated Scale for 26072	44
32914	Set Screw for 26072	11	32931	Spring for 26072	28	32948	Screw for 26072	45
32915	Spring for 26072	12	32932	Pin for 26072	29	32949	Set Screw for 26072	46
32916	Wheel Plate for 26072	13	32933	Mounting Plate for 26072	30	32950	Thumb Screw for 26072	47
32917	Set Screw for 26072	14	32934	Bolt for 26072	31	32951	Adjustment Knob for 26072	48
32918	Feed Plate Handle Mount for 26072	15	32935	Washer for 26072	32	37563	Washer for 26072	49
32919	Set Screw for 26072	16	32936	Screw for 26072	33	31317	Complete Thickness Adjustor Assy for 26072	1 - 29, 49
32920	Handle for 26072	17	32937	Index Mount for 26072	34			

## Fly Wheel

Item No.	Description	Position	Item No.	Description	Position	Item No.	Description	Position
31321	Screw for 26072	1	32962	Pinion for 26072	13	32974	Brass Bushing for 26072	26
31320	Knob for 26072	2	32963	Set Screw for 26072	14	32975	Set Screw for 26072	27
32952	Fly Wheel Handle Shaft for 26072	3	32964	Gear Shaft for 26072	15	32976	Gear Pivot for 26072	28
32953	Nut for 26072	4	32965	Brass Bushing for 26072	16	32977	Gear for 26072	29
41423	Flower Fly Wheel for 26072	5	32966	Screw for 26072	17	32978	Pin for 26072	30
32955	Screw Chrome for 26072	6	32967	Washer for 26072	18	32979	Gear for 26072	31
32956	Pin for 26072	7	32968	Support Mount for 26072	19	32980	Pin for 26072	32
32957	Set Screw for 26072	8	32969	Set Screw for 26072	20	32981	Washer for 26072	33
32958	Gear Shaft for 26072	9	32970	Socket Head Screw for 26072	21	32982	Brass Bushing for 26072	34
32959	Brass Bushing for 26072	10	32971	Axial Bearing for 26072	22 - 23	32983	Gear for 26072	35
32960	Washer for 26072	11	32972	Brass Bushing for 26072	24			
32961	Pin for 26072	12	32973	Oiler for 26072	25			



# Parts Breakdown

## Model MS-IT-0250-MF 26072

## Meat Tray Assembly

Item No.	Description	Position	Item No.	Description	Position	Item No.	Description	Position
32984	Screw Chrome for 26072	1	32995	U-Bracket for 26072	12	31319	Upper Plate for 26072	24
32985	Meat Grip Holder for 26072	2	32996	Set Screw for 26072	13	33006	Screw TPSV for 26072	25
32986	Meat Grip Bar for 26072	3	32997	Set Screw for 26072	14	33007	Plate Lock for 26072	26
32987	Screw TPSV for 26072	4	32998	Screw TC for 26072	15	33008	Screw TC for 26072	27
32988	Wavy Washer for 26072	5	32999	Washer for 26072	16	33009	Tightening Knob for 26072	28
32989	Screw TC for 26072	6	33000	Socket Head Screw for 26072	17	33010	Screw TC for 26072	29
32990	Washer for 26072	7	33001	Bar Bushing for 26072	18	33011	Set Screw for 26072	30
32991	Joint for 26072	8	33002	Cam for 26072	19	33012	Steel Pin for 26072	31
32992	Bar Bushing for 26072	9	33003	Spacer for 26072	21	33013	Handle for 26072	32
32993	Handle for 26072	10	33004	Spacer for 26072	22	33014	Set Screw for 26072	33
32994	Brake Tab for 26072	11	33005	Washer for 26072	23			

## Sharpening Assembly

Item No.	Description	Position	Item No.	Description	Position	Item No.	Description	Position
33015	Shaft for Sharpener for 26072	1	33026	Washer for 26072	12	33037	Sharpener Cover for 26072	23
33016	Pin for 26072	2	33027	Push Button Screw for 26072	13	33038	Sharpener Cover Knob for 26072	24
33017	Pin for 26072	3	33028	Sharpener Push Button for 26072	14	33039	Sharpener Body for 26072	25
33018	Nut 5 for 26072	4	33029	Ball Bearing for 26072	15	33040	Washer for 26072	26
33019	Set Screw for 26072	5	33030	Nut for 26072	16	33041	Spring for 26072	27
33020	Screw TC 4x16 for 26072	6	33031	Washer for 26072	17	33042	Sharpener Push Button for 26072	28
33021	Washer 5 for 26072	7	33545	45x13x6 Sharpening Stone for 26072	18	33043	Screw TC for 26072	29
33022	Sharpener Pin for 26072	8	33033	Sharpener Pin for 26072	19	33044	Washer for 26072	30
33023	Pin Bushing for 26072	9	33034	Spring for 26072	20	33045	Pin Bushing for 26072	31
18016	Omcan G Stone 50x08x06 for 26072	10	33035	Washer for 26072	21	33046	Thumb Screw for 26072	32
33025	Nut 6 for 26072	11	33036	Screw TPSV for 26072	22			